

SPECIFICATION FOR APPROVAL

承认书

CUSTOMER

NUMBER

客户名称:

编号:

DESCRIPTION

QUANTITY

品名: 贴片共模滤波器

数量:

PART NO.

DATE

型号: BCDCM9070-2-102TA

日期:

CUSTOMER PART NO.

NOTE

客户料号:

注解:

APPROVAL SIGNATURE

客户承认签章

--

APPROVED BY 核准	Q. C. DEPT. 品管	CHECKED BY 核查	DRAWN BY 制作

深圳市惠尔德电子有限公司

SHENZHEN HUIERDE ELECTRONICS CO., LTD.

地址: 深圳市龙华区观澜街道福民福苑工业区二栋三楼

Tel: 13510325766

BCDCM9070-2-102TA

DC COMMON MODE FILTER

FEATURES

- A chip-type common mode filter for large current applications.
Common mode impedance surpasses 750Ω at 100MHz.
Noise is greatly suppressed.
- Capable of handling the highest current (up to 4.8A) of any chip-type common mode filter.
- Height and size have been considered, resulting in a compact and light-weight choke coil. Applicable for the miniaturization required to reduce the size and weight of portable equipment.
- The products contain no lead and also support lead-free soldering.
- The product does not contain regulated substances that are slated to be included in ROHS.



APPLICATIONS

Used for power line noise suppression for any electronic devices
Used to counter adapter/battery line noise for relatively large electronic devices such as notebook PCs, stand-alone word processors, etc

TEMPERATURE RANGES

Operating	-40to+125°C
Storage (After mount)	-40to+125°C

Part Number System

BCDCM 9070 -2 -102 T A
① ② ③ ④ ⑤ ⑥

- ① Type:BCDCM
- ② External Dimensions (L×W) (mm):9.0*7.0
- ③ Number of Lines: 2
- ④ Impedance:102=1000Ω
- ⑤ Packing:Tape & Reel
- ⑥ Management Symbol:A

ELECTRICAL CHARACTERISTICS

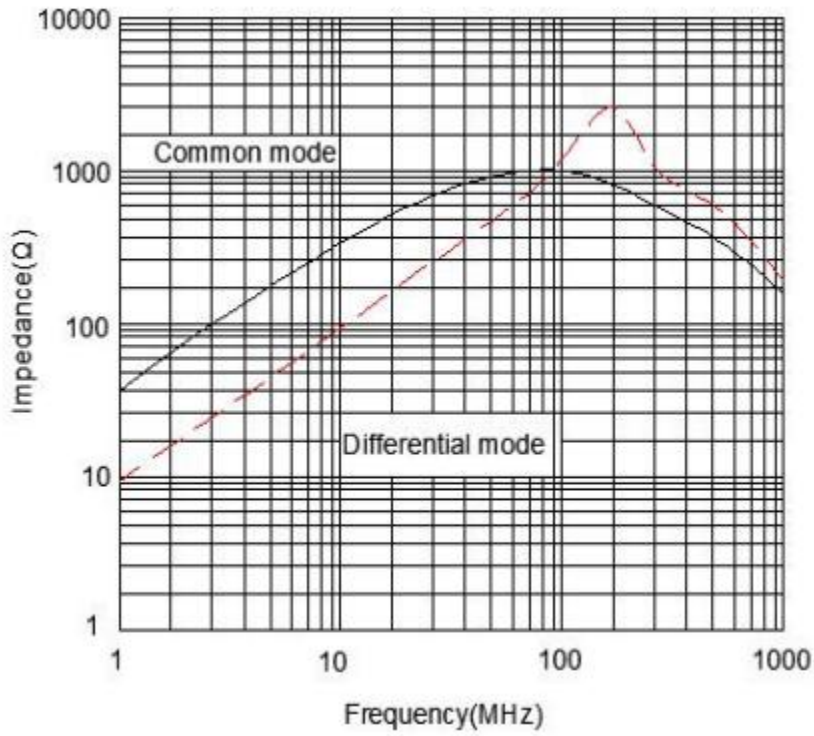
Part No.	Impedance[at 100MHz] (Ω)		DC resistance (mΩ)max[1 line]	Rated current Idc (A)max	Insulation resistance (MΩ)min
	min	typ			
BCDCM9070-2-102TA	750	1000	12	4.8	10

BCDCM9070-2-102TA

DC COMMON MODE FILTER

TYPICAL ELECTRICAL CHARACTERISTICS IMPEDANCE vs. FREQUENCY CHARACTERISTICS

BCDCM9070-2-102TA

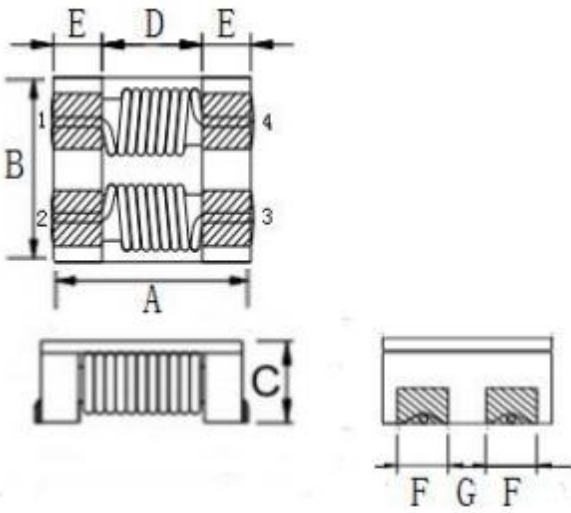


BCDCM9070-2-102TA

DC COMMON MODE FILTER

SHAPES AND DIMENSIONS/CIRCUIT DIAGRAM/RECOMMENDED PC BOARD PATTERN (REFLOW SOLDERING)

◆ Dimensions (mm)



UNIT: mm

A: 9.0 ± 0.5

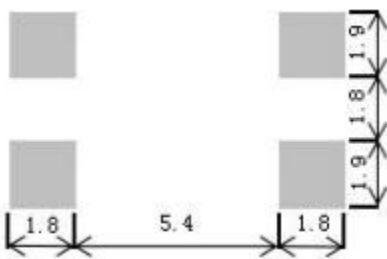
B: 7.0 ± 0.5

C: 4.8 (MAX)

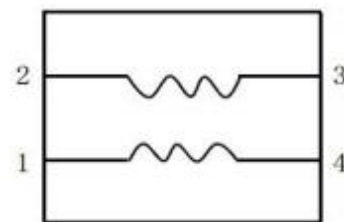
D: 5.6 E: 1.7

F: 1.8 G: 2.0

◆ Land Pattern (mm)



◆ Schematics (Bottom)

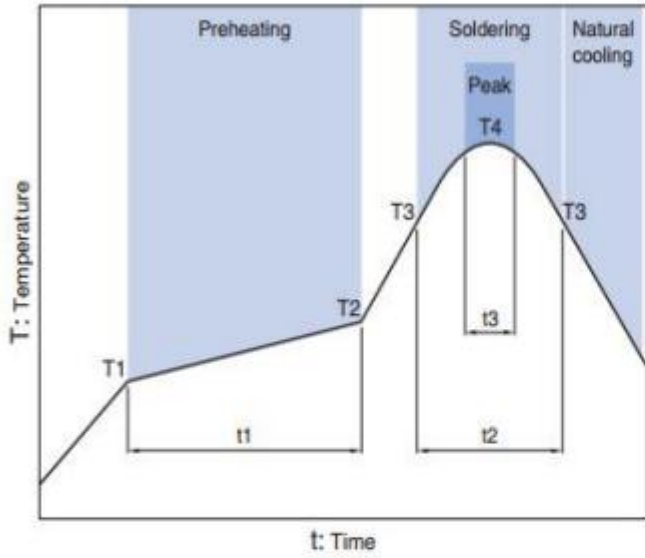


No polarity

BCDCM9070-2-102TA

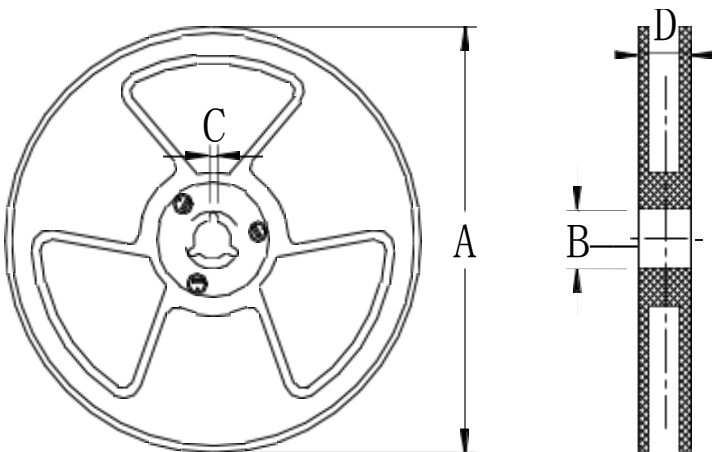
DC COMMON MODE FILTER

Recommended Reflow Temperature Curve



Preheating		Soldering		Peak		
Temp.	Time	Temp.	Time	Temp.	Time	
T1 150°C	T2 180°C	t1 60 to 120s	T3 230°C	t2 10 to 30s	T4 245°C	t3 5s

Package size (mm)



size \ Specs	13"	7"
A	$\Phi 330 \pm 2.0$	$\Phi 178 \pm 2.0$
B	$\Phi 90 \pm 2.0$	
C	2 3	
D	21.5	