

SPECIFICATION FOR APPROVAL

承 认 书

CUSTOMER

客户名称:

NUMBER

编 号: Y-18013102

DESCRIPTION

品 名: 贴片共模电感

QUANTITY

数 量: 10pcs

PART NO.

型 号: BCDM116-2-680T

DATE

日 期: 2021/6/21

CUSTOMER PART NO.

客户料号:

NOTE

注 解:

APPROVAL SIGNATURE
客户承认签章

| APPROVED BY 核 准 | Q. C. DEPT. 品 管 | CHECKED BY 核 查 | DRAWN BY 制 作 |
|--------------------|--------------------|-------------------|-----------------|
| | | | |

深圳市惠尔德电子有限公司

SHENZHEN HUIERDE ELECTRONICS CO., LTD.

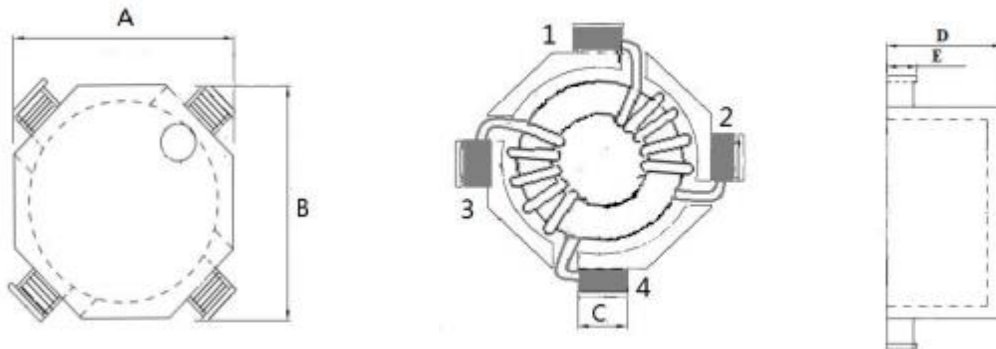
地址: 深圳市龙华区观澜街道福民福苑工业区二栋三楼

Tel: 13510325766

| | | | |
|----------------|--|-----------------|----------------|
| 客户 CUSTOMER | | 规格型号 PART NO | BCDM116-2-680T |
|----------------|--|-----------------|----------------|

1: 外形尺寸: (单位: mm)

OVERALLDIMESSON (UNIT:mm)



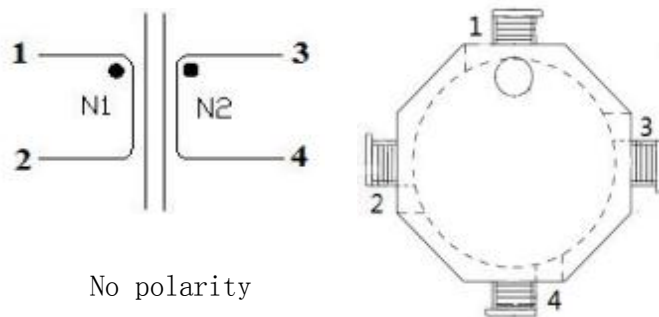
| | | | | | |
|------|----------|----------|--------|--------|---------|
| 尺寸 | A | B | C | D | E |
| 单位mm | 11.7±0.3 | 11.7±0.3 | 2.3typ | 6.5MAX | 1.6±0.3 |

2:接线图: 两组线分绕

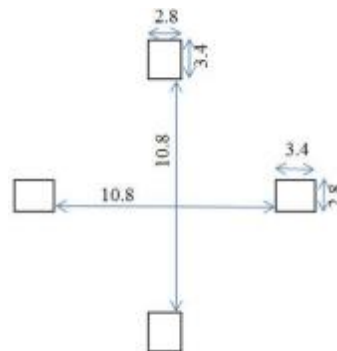
WIRING DIAGRAM: SEPARATE WINDING

3: 焊接尺寸: mm

WELDING DIMENSION: mm



No polarity



4: 电气性能参数(ELECTRICAL PARAMETERS)

| | |
|---------------------------|---------------------|
| 电感量及允许偏差 (1KHz/ 0.25V) | L12=L34: 68UH (MIN) |
| 直流电阻 DC RESISTANCE | 16mΩ (MAX) |
| 额定电流 RATED CURRENT | 1.5A MAX |
| 阻抗 (10MHz) IMPEDANCE | 1500Ω MIN |

测试仪表 (MEASUREMENT INSTRUMENT) :

HM2791 HM2801 HP4285
CH19073

在最坏情况下建议零件的温度不超过+125° C。 (It is recommended that the temperature of the part does not exceed +125° C under worst case conditions.)

贮存环境(Storage conditions):存放环境温度-20° C至60° C,相对湿度不高于70%,并存放在不含硫和氯的空气气氛中 (请不要直接暴露在阳光下) Storage ambient temperature-20 ° C to 60 ° C, 70%RH or less, and isolate the parts from sulphic and chloric atm osphere. (Please don't expose to the sun directly)

| | |
|-------|----------------------------------|
| Note: | SPEC. NO. : Y-18013102 1/2 |
|-------|----------------------------------|

| | | | |
|----------------|--|-----------------|----------------|
| 客户 CUSTOMER | | 规格型号 PART NO | BCDM116-2-680T |
|----------------|--|-----------------|----------------|

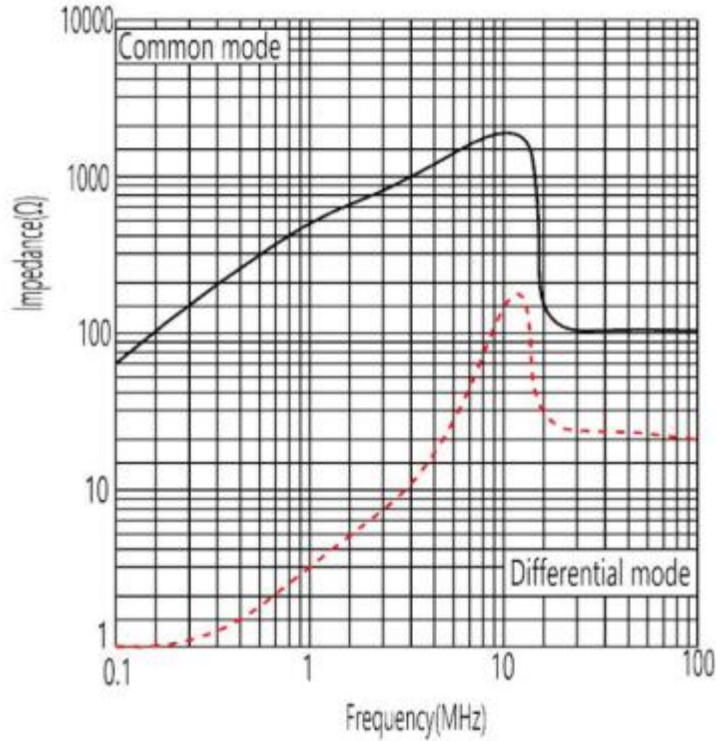
零件工作温度(Operating temperature of parts): -40° C - 125° C

温升(Temperature Rise) : < 55K

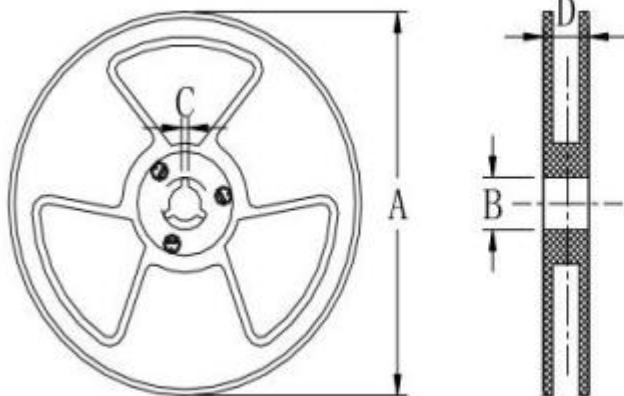
电性能试验条件(Est conditions of Electrical Properties) : 20° C、相对湿度33%
(20° C, 33% RH)

没有特殊规定下 (If not specified differently)

5: 阻抗曲线图(IMPEDANCE CURVE)



6: 包装(PACKING)



| 规格 | 13" | 7" |
|----|-----------|-----------|
| 尺寸 | | |
| A | Φ 330±2.0 | Φ 178±2.0 |
| B | Φ90 ± 2.0 | |
| C | 2.3 | |
| D | 30.5 | |

| | |
|-------|----------------------------------|
| Note: | SPEC. NO. : Y-18013102 2/2 |
|-------|----------------------------------|