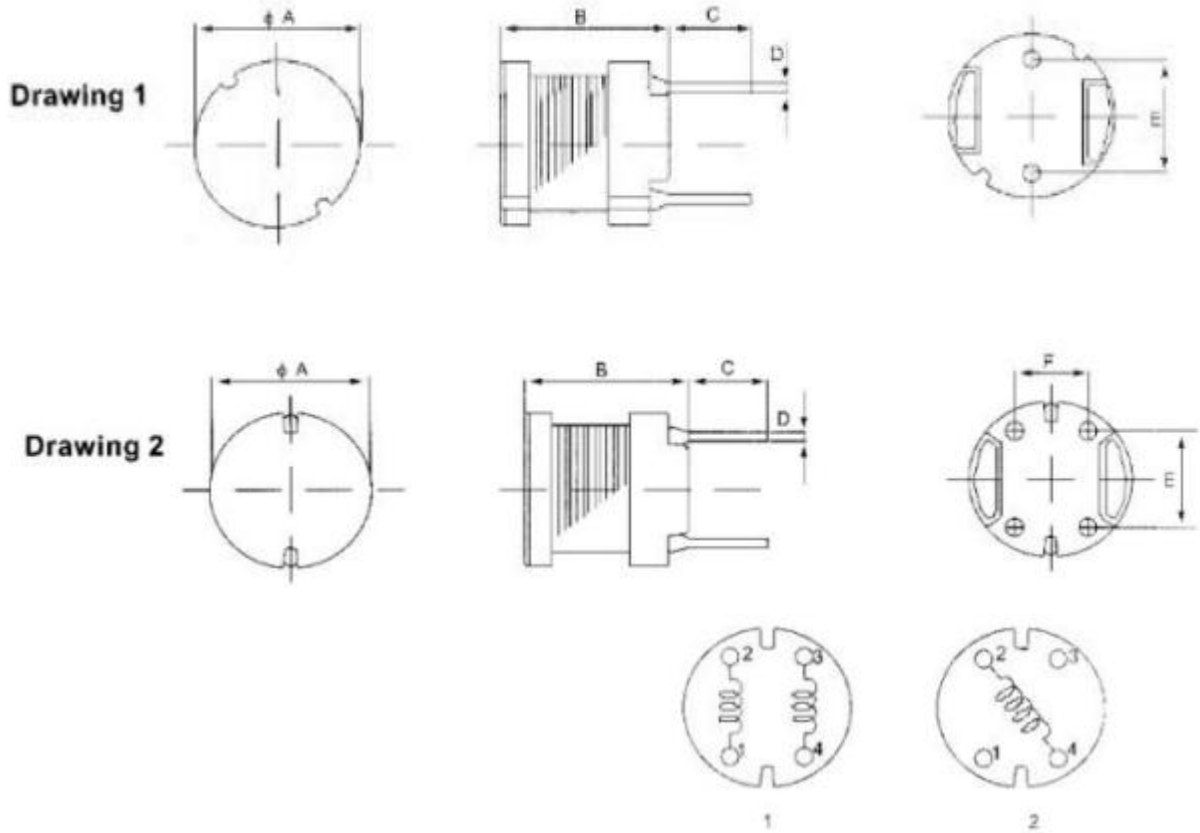


## 插件功率电感

机械尺寸Mechanical: (UNIT: mm)



TYPE	A(max)	B(max)	C	D	E	F	1	2	Drawing
LCH654	6.50	5.00	2.50	0.50	4.00				
LCH855	8.30	5.50	2.50	0.70	5.00				
LCH875	8.30	7.50	2.50	0.70	5.00				
LCH895	8.30	9.80	2.50	0.70	5.00				
LCH106	10.50	6.00	2.50	0.70	5.00	4.00	1uH-7.8uH	10uH-1mH	II
LCH110	10.50	10.50	2.50	0.70	5.00	4.00	10uH-33uH	39uH-1mH	II
LCH114	10.50	14.50	2.50	0.80	5.00				I

## 电气特性

PART No.	NOMINAL INDUCTANCE ( H )	DCR ( $\Omega$ ) MAX	IDC (A) MAX
LCH654-1R0M	1.0u	29m	3.00
LCH654-1R5M	1.5u	34m	2.85
LCH654-2R0M	2.0u	39m	2.48
LCH654-2R5M	2.5u	43m	2.21
LCH654-3R3M	3.3u	48m	1.98

LCH654-3R9M	3.9u	55m	1.83
LCH654-4R7M	4.7u	60m	1.74
LCH654-5R6M	5.6u	66m	1.53
LCH654-7R2M	7.2u	78m	1.35
LCH654-8R2M	8.2u	85m	1.26
LCH654-100K	10u	91m	1.20
LCH654-120K	12u	100m	1.05
LCH654-150K	15u	120m	980m
LCH654-180K	18u	130m	930m
LCH654-220K	22u	180m	900m
LCH654-270K	27u	210m	810m
LCH654-330K	33u	270m	740m
LCH654-390K	39u	290m	680m
LCH654-470K	47u	340m	620m
LCH654-560K	56u	420m	570m
LCH654-680K	68u	480m	510m
LCH654-820K	82u	550m	470m
LCH654-101K	100u	680m	420m
LCH654-121K	120u	770m	390m
LCH654-151K	150u	950m	350m
LCH654-181K	180u	1.15	320m
LCH654-221K	220u	1.30	290m
LCH654-271K	270u	1.55	260m
LCH654-331K	330u	2.18	230m
LCH654-391K	390u	2.47	210m
LCH654-471K	470u	2.92	200m
LCH654-561K	560u	3.97	180m
LCH654-681K	680u	4.57	160m
LCH654-821K	820u	5.28	150m
LCH654-102K	1.0m	7.06	130m
PART No.	NOMINAL INDUCTANCE ( uH )	DCR ( Ω ) MAX	IDC ( A ) MAX
LCH855-2R5M	2.5u	23m	3.70
LCH855-3R3M	3.3u	26m	3.24
LCH855-4R1M	4.1u	31m	3.00
LCH855-5R0M	5.0u	34m	2.88
LCH855-6R0M	6.0u	39m	2.64

LCH855-6R8M	6 8u	42m	2. 52
LCH855-8R2M	8. 2u	45m	2. 28
LCH855-100K	10u	70m	1. 56
LCH855-120K	12u	80m	1. 32
LCH855-150K	15u	90m	1. 14
LCH855-180K	18u	100m	1. 06
LCH855-220K	22u	120m	920m
LCH855-270K	27u	140m	865m
LCH855-330K	33u	170m	800m
LCH855-390K	39u	210m	700m
LCH855-470K	47u	240m	680m
LCH855-560K	56u	310m	600m
LCH855-680K	68u	340m	560m
LCH855-820K	82u	400m	510m
LCH855-101K	100u	520m	445m
LCH855-121K	120u	590m	430m
LCH855-151K	150u	710m	385m
LCH855-181K	180u	890m	360m
LCH855-221K	220u	1. 04	335m
LCH855-271K	270u	1. 28	300m
LCH855-331K	330u	1. 47	275m
LCH855-391K	390u	1. 67	260m
LCH855-471K	470u	1. 95	240m
LCH855-561K	560u	2. 83	190m
LCH855-681K	680u	3. 25	180m
LCH855-821K	820u	3. 82	170m
LCH855-102K	1 0m	5. 30	145m
LCH855-122K	1 2m	6. 00	130m
LCH855-152K	1. 5m	7. 15	118m
LCH855-182K	1 8m	8. 26	108m
LCH855-222K	2 2m	11. 0	98m
LCH855-272K	2. 7m	13. 0	92m
LCH855-332K	3 3m	16. 0	82m
LCH855-392K	3. 9m	18. 0	75m
LCH855-472K	4. 7m	24. 0	67m
LCH855-562K	5 6m	27. 0	62m
LCH855-682K	6. 8m	32. 0	58m

LCH855-822K	8 2m	46.5	48m
LCH855-103K	10m	56.0	45m
PART No.	NOMINAL INDUCTANCE ( uH )	DCR ( Ω ) MAX	IDC ( A ) MAX
LCH875-2R2M	2.2u	13.8m	3.90
LCH875-2R7M	2.7u	15.5m	3.50
LCH875-3R5M	3.5u	17.5m	3.30
LCH875-4R4M	4 4u	19.5m	3.20
LCH875-5R0M	5.0u	21.4m	3.05
LCH875-6R0M	6.0u	22.5m	2.85
LCH875-7R2M	7 2u	24.5m	2.75
LCH875-8R2M	8.2u	26.5m	2.54
LCH875-100K	10u	50m	2.30
LCH875-120K	12u	60m	2.15
LCH875-150K	15u	70m	1.68
LCH875-180K	18u	80m	1.55
LCH875-220K	22u	90m	1.44
LCH875-270K	27u	110m	1.20
LCH875-330K	33u	130m	1.10
LCH875-390K	39u	140m	1.05
LCH875-470K	47u	150m	1.00
LCH875-560K	56u	180m	880m
LCH875-680K	68u	200m	820m
LCH875-820K	82u	240m	755m
LCH875-101K	100u	350m	700m
LCH875-121K	120u	360m	600m
LCH875-151K	150u	420m	550m
LCH875-181K	180u	570m	490m
LCH875-221K	220u	630m	455m
LCH875-271K	270u	880m	380m
LCH875-331K	330u	1.05	360m
LCH875-391K	390u	1.17	348m
LCH875-471K	470u	1.34	335m
LCH875-561K	560u	1.72	275m
LCH875-681K	680u	1.96	260m
LCH875-821K	820u	2.56	228m
LCH875-102K	1.0m	2.94	215m

LCH875-122K	1 2m	4.04	190m
LCH875-152K	1.5m	4.70	180m
LCH875-182K	1 8m	5.05	165m
LCH875-222K	2 2m	6.25	155m
LCH875-272K	2.7m	8.72	120m
LCH875-332K	3 3m	10.6	110m
LCH875-392K	3 9m	14.2	97m
LCH875-472K	4.7m	16.7	88m
LCH875-562K	5 6m	18.7	83m
LCH875-682K	6 8m	21.8	80m
LCH875-822K	8.2m	28.7	75m
LCH875-103K	10m	33.0	65m
PART No.	NOMINAL INDUCTANCE ( uH )	DCR ( Ω )MAX	IDC (A)MAX
LCH895-2R5M	2.5u	13.8m	4.10
LCH895-3R3M	3 3u	15.5m	3.70
LCH895-3R9M	3 9u	16.5m	3.30
LCH895-4R7M	4.7u	18.5m	3.10
LCH895-5R6M	5 6u	20.5m	3.00
LCH895-6R8M	6 8u	21m	2.85
LCH895-7R7M	7.7u	22.5m	2.65
LCH895-9R2M	9 2u	24.5m	2.50
LCH895-100K	10u	40m	2.40
LCH895-120K	12u	43m	2.28
LCH895-150K	15u	50m	2.10
LCH895-180K	18u	52m	1.90
LCH895-220K	22u	60m	1.68
LCH895-270K	27u	62m	1.55
LCH895-330K	33u	70m	1.32
LCH895-390K	39u	80m	1.25
LCH895-470K	47u	100m	1.18
LCH895-560K	56u	110m	1.08
LCH895-680K	68u	140m	970m
LCH895-820K	82u	160m	910m
LCH895-101K	100u	190m	865m
LCH895-121K	120u	220m	800m
LCH895-151K	150u	270m	720m